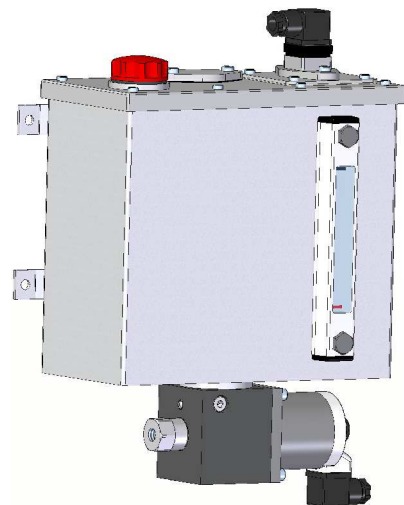
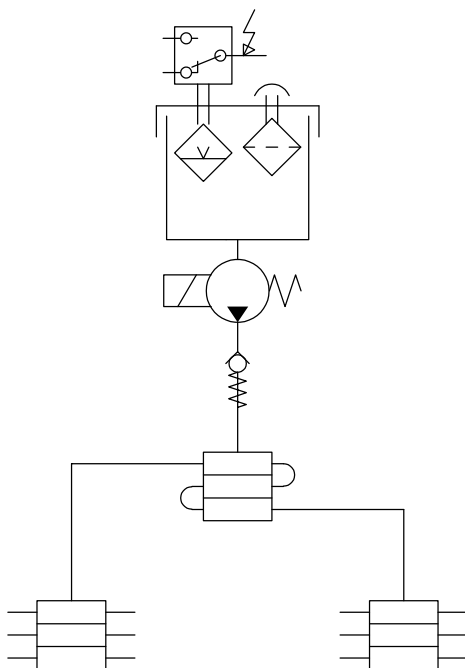
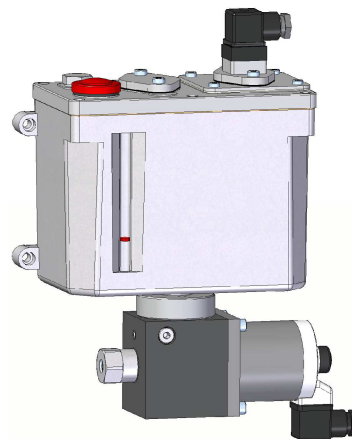
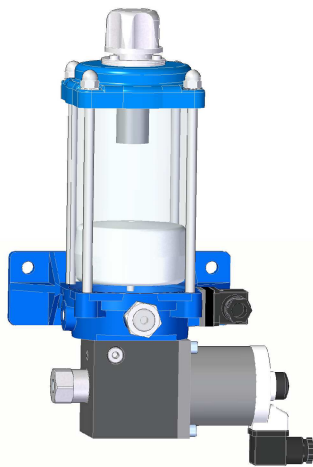


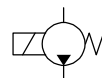
Electromagnetic drive piston pump for OIL

- 1 outlet
- Flow 140-250 mm³/imp
- Maximum pressure 40 bar
- Viscosity up to 460 mm²/s



Electromagnetic drive piston pump for OIL

MP11/A
218.010.000



- Flow 140-250 mm³/imp
- Max pressure 40 bar
- Viscosity up to 460 mm²/s

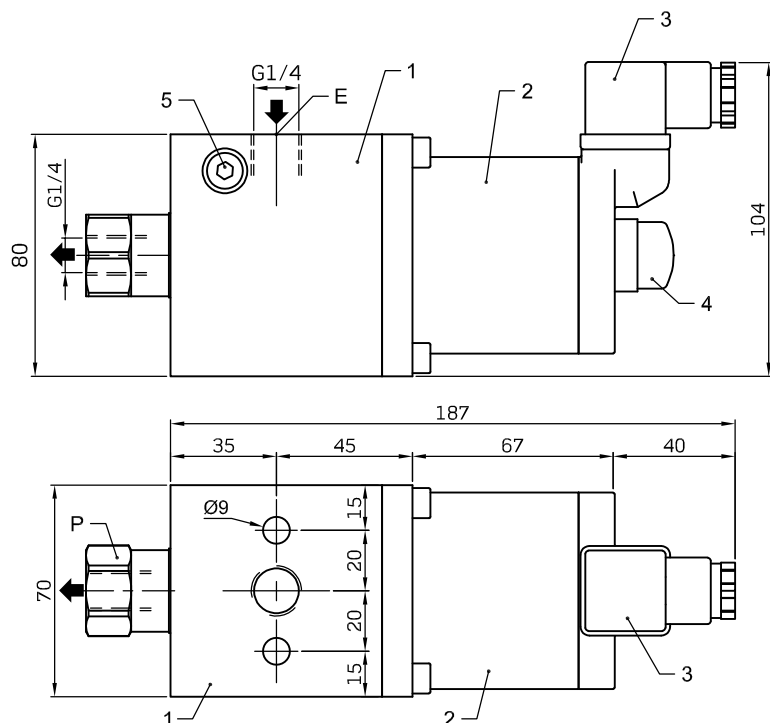
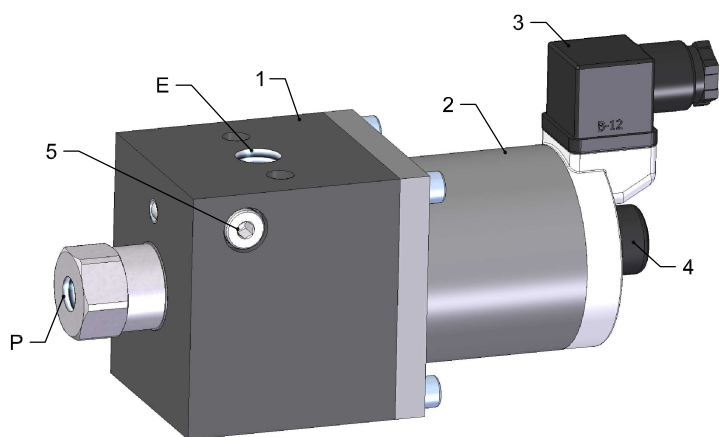
Application

Its main area of application is as a dosing pump in little and medium size centralized lubrication systems with progressive distributors.

Description

The unit is composed of a electromagnetic drive piston pump mounted at the bottom of a tank, from where it is fed by gravity.

- | | |
|-------------------|---------------------|
| 1 - Pump body | 5 - Cycle sensor |
| 2 - Electromagnet | E - Lubricant inlet |
| 3 - Connector | P - Pressure outlet |
| 4 - Manual drive | |



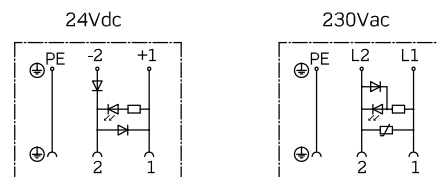
Technical data

Lubricant.....mineral and synthetic oils
Viscosity..... < 1000 mm²/s
Inlet pressure..... < 2 bar
Outlet flow.....140 - 250 mm³
Delivery pressure..... < 40 bar
Working frequency..... ≤ 2 strokes/s
Operation temperature..... -15°C...+80°C
Protection degree..... IP54

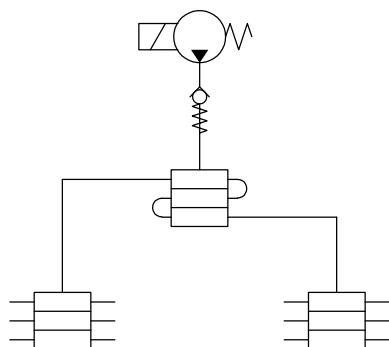
Electric characteristics

Voltage.....24 Vdc
Power.....105 W
Consumption..... ≤ 2 A
Connector..... DIN 43650-A with led
Magnet activation time..... 0,1 ≤ T ≤ 0,2 s
ED duty cycle.....40%

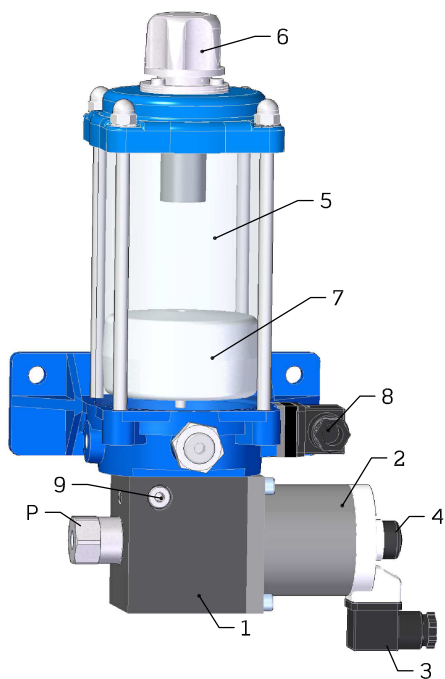
Electric connection



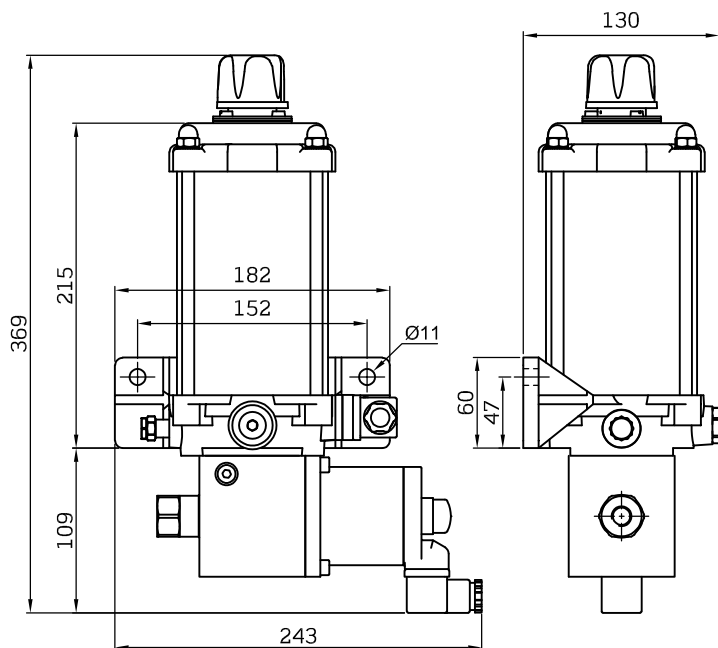
Application with progressive distributors



MP11 / A-1 / X X X X X							
X	Out. n°	X	Flow mm ³ /imp	X	Magnet voltage	X	Connector
1	1	1	140	1	24Vdc	0	Without
		2	250			1	DIN
X		X		X		X	Cycle control
						0	Without



- 1 - Pump body
- 2 - Electromagnet
- 3 - Connector
- 4 - Manual drive
- 5 - Tank
- 6 - Filling plug and filter
- 7 - Float (level switch)
- 8 - Level switch connector
- 9 - Venting hole
- P - Pressure outlets

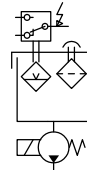


Electromagnetic drive piston pump for OIL

MB22/A

218.210.000

- Flow 140-250 mm³/imp
- Max pressure 40 bar
- Viscosity up to 460 mm²/s



Application

Its main area of application is as a dosing pump in little and medium size centralized lubrication systems with progressive distributors.

Description

The unit is composed of an electromagnetic drive piston pump mounted at the bottom of a tank, from where it is fed by gravity.

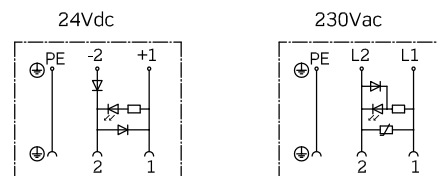
Technical data

Lubricant..... mineral and synthetic oils
Viscosity..... < 1000 mm²/s
Outlet flow.....140 - 250 mm³
Delivery pressure..... < 40 bar
Working frequency..... ≤ 2 strokes/s
Operation temperature..... -15°C...+80°C
Protection degree..... IP54

Electric characteristics

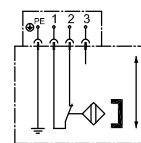
Voltage..... 24 Vdc
Power..... 105 W
Consumption..... ≤ 2 A
Connector..... DIN 43650-A with led
Magnet activation time..... 0,1 ≤ T ≤ 0,2 s
ED duty cycle.....40%

Electric connection



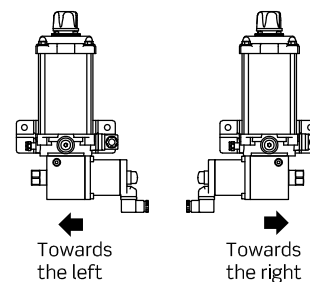
Level switch

- contact..... see figure
- max switching voltage.... 100 VDC
- max switch. consumpt.....0,25 A
- max switch. power...8W(∩)...3W(∩)
- connector..... DIN43650 form A



Side to position the outlets

The unit can be supplied with the outlets positioned towards the left or right.



MB22	/	A-1	/	X	1	/	X	X	/	X	X	X	/	X	X	/	0
X	Tank capac.	X	Level switch	X	Level connect.	X	Out. n°	X	Flow mm ³ /imp	X	Out. side	X	Magnet voltage	X	Connect.		
5	0,5 l	0	Without	0	Whitout	1	1	1	140	1	Right	1	24Vdc	0	Without		
6	1,5 l	5	Low level	0	Whitout	1	2	2	250	2	Left			1	DIN		

The float of the level switch reduces the capacity of the reservoir in 0,25 l